

|             |                       |                       |
|-------------|-----------------------|-----------------------|
| TITLE: Main |                       | REV: 1.0              |
|             | Company: Your Company | Sheet: 1/1            |
|             | Date: 2020-07-17      | Drawn By: max30012540 |

1

2

3

4

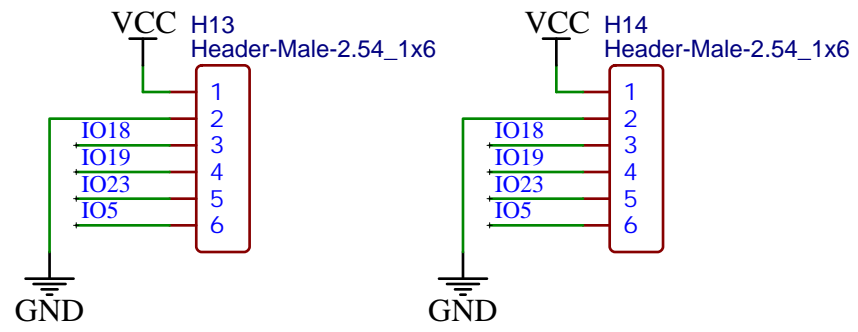
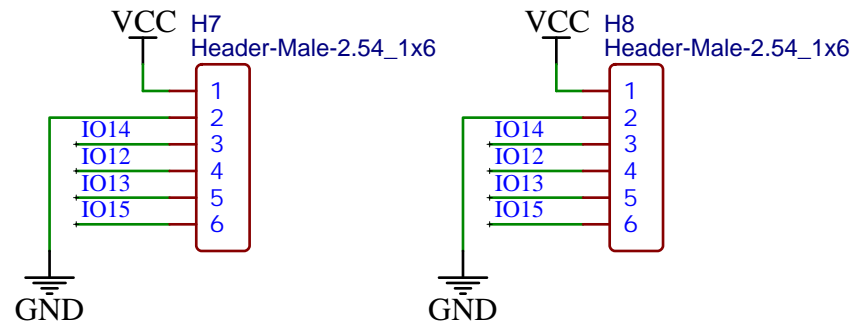
5

A

B

C

D



|   |  |            |
|---|--|------------|
| TITLE: SPI  |  | REV: 1.0   |
|  | Company: Your Company                  | Sheet: 1/1 |
|   | Date: 2020-07-17 Drawn By: max30012540 |            |

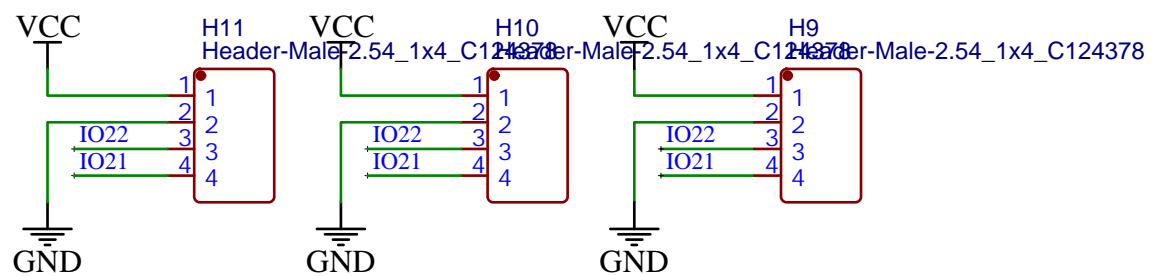
1

2

3

4

5



|   |                       |                       |
|---|-----------------------|-----------------------|
| TITLE: I2C  |                       | REV: 1.0              |
|  | Company: Your Company | Sheet: 1/1            |
|   | Date: 2020-07-17      | Drawn By: max30012540 |

1

2

3

4

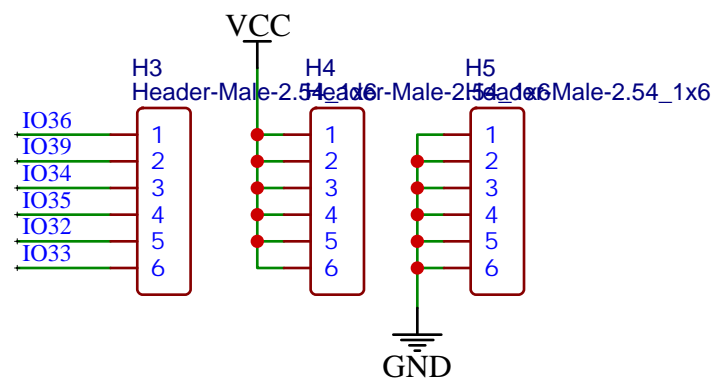
5

A

B

C

D



|   |                       |                       |
|---|-----------------------|-----------------------|
| TITLE: Analog   |                       | REV: 1.0              |
|  | Company: Your Company | Sheet: 1/1            |
|   | Date: 2020-07-17      | Drawn By: max30012540 |

1

2

3

4

5

1

2

3

4

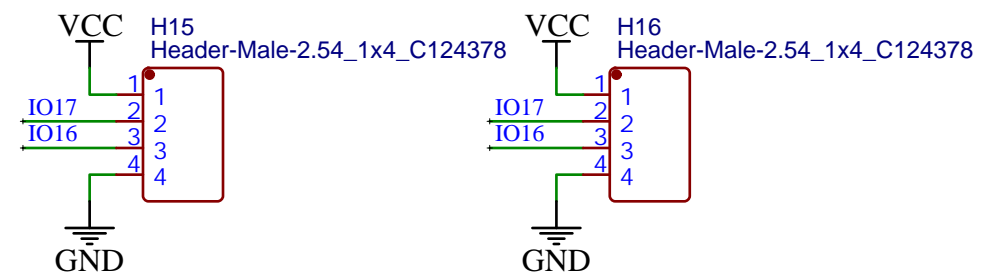
5

A

B

C

D



|   |  |            |
|---|--|------------|
| TITLE: Serial   |  | REV: 1.0   |
|  | Company: Your Company                  | Sheet: 1/1 |
|   | Date: 2020-07-17 Drawn By: max30012540 |            |

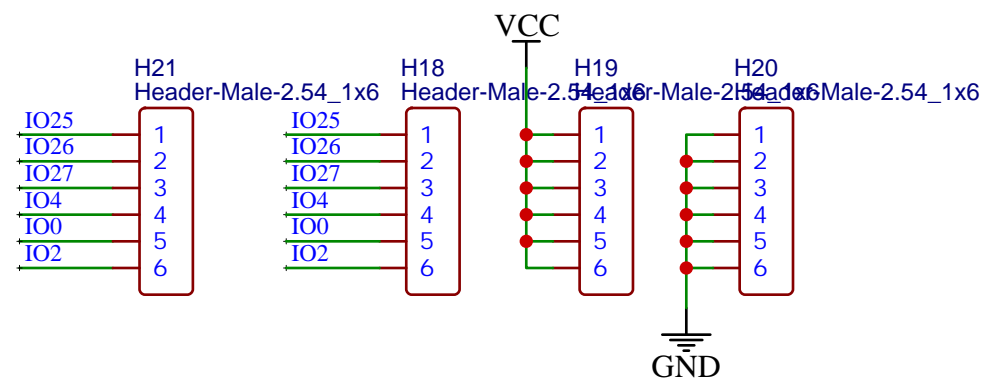
1


2

3

4

5



|   |                       |                       |
|---|-----------------------|-----------------------|
| TITLE: GPIO   |                       | REV: 1.0              |
|  | Company: Your Company | Sheet: 1/1            |
|   | Date: 2020-07-17      | Drawn By: max30012540 |